

## GT 6700

*Gran Turismo:  
Comfort, safety and  
innovative design for  
long distance travel*



**LAZZERINI**<sup>®</sup>  
never stop exploring

1 Patented headrest shaped for passenger maximum comfort

2 Ergonomic backrest

3 Restraint system

- 2 point safety belt
- 3 point safety belt
- All-generation safety belt
- Certified ISOFIX system

4 Widening adjustment



- 5 Integrated handle with coat hook
- 6 Reclining Backrest
- 7 Fold down table
- 8 Fold down armrest
- 9 Backrest recline lever



DETAIL

---



Magazine net



Multiposition footrest



Pantograph leg support



Carbon or briarwood insert

## INNOVATIVE OPTIONS

---

- A - Usb
- B - Bell push
- C - Led reading light
- D - Smartphone holder
- E - Wireless charger
- F - Monitor
- G - Sensor system



Monitor (GTST seat)



Console with usb, bell push, led reading light, smartphone holder with/without wireless charger



## FEATURES

---



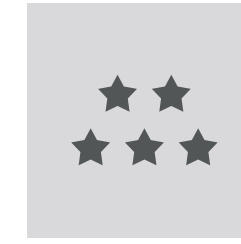
User friendly control



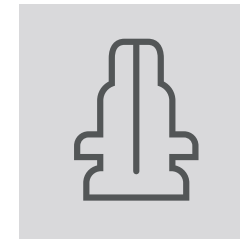
Wide range of colours



Lightweight structure



5 stars comfort test compliant



Asymmetric seat with modern design



Certified to all European safety requirements

## OPTIONS

□ standard

• optional

**ARMRESTS**

- Aisle side, fold down	□
- Aisle side, fold up	•
- Wall side, fold up	•
- Centre, fold up	•
- Fixed	•
- Carbon or briarwood insert	•

**UPHOLSTERY**

- Fabric	•
- Moquette	•
- Leather	•
- Vinyl	•
- E-leather	•
- Piping	•
- Double padding	•
- Trimmed back panel	•
- Other upholsteries	•

**FOOTREST**

- Fold up	•
- Multiposition	•

**GRAB HANDLE**

- Rear	□
- Side	•

**BACKREST**

- Fixed	•
- Reclining	□

**RESTRAINT SYSTEM**

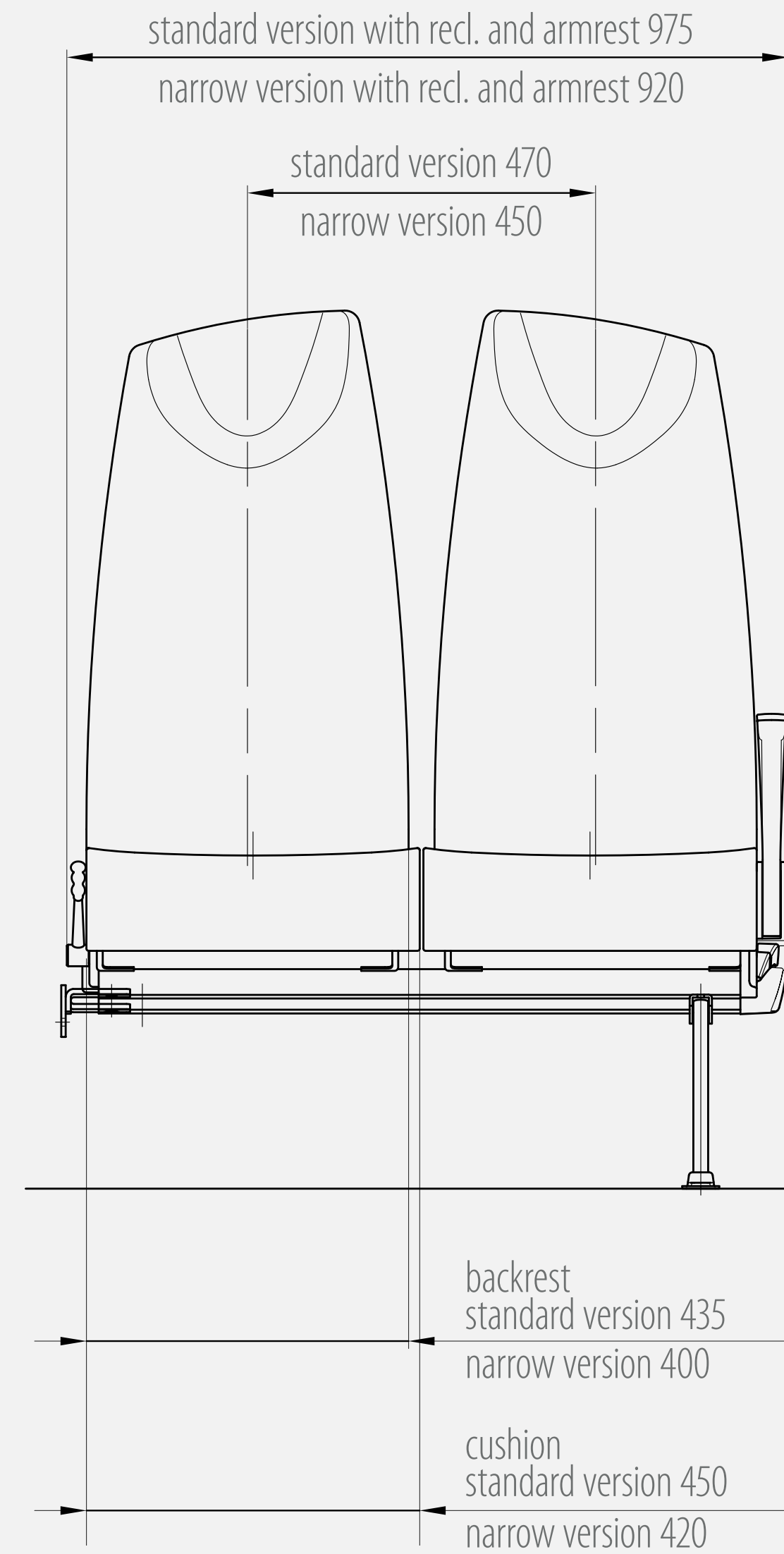
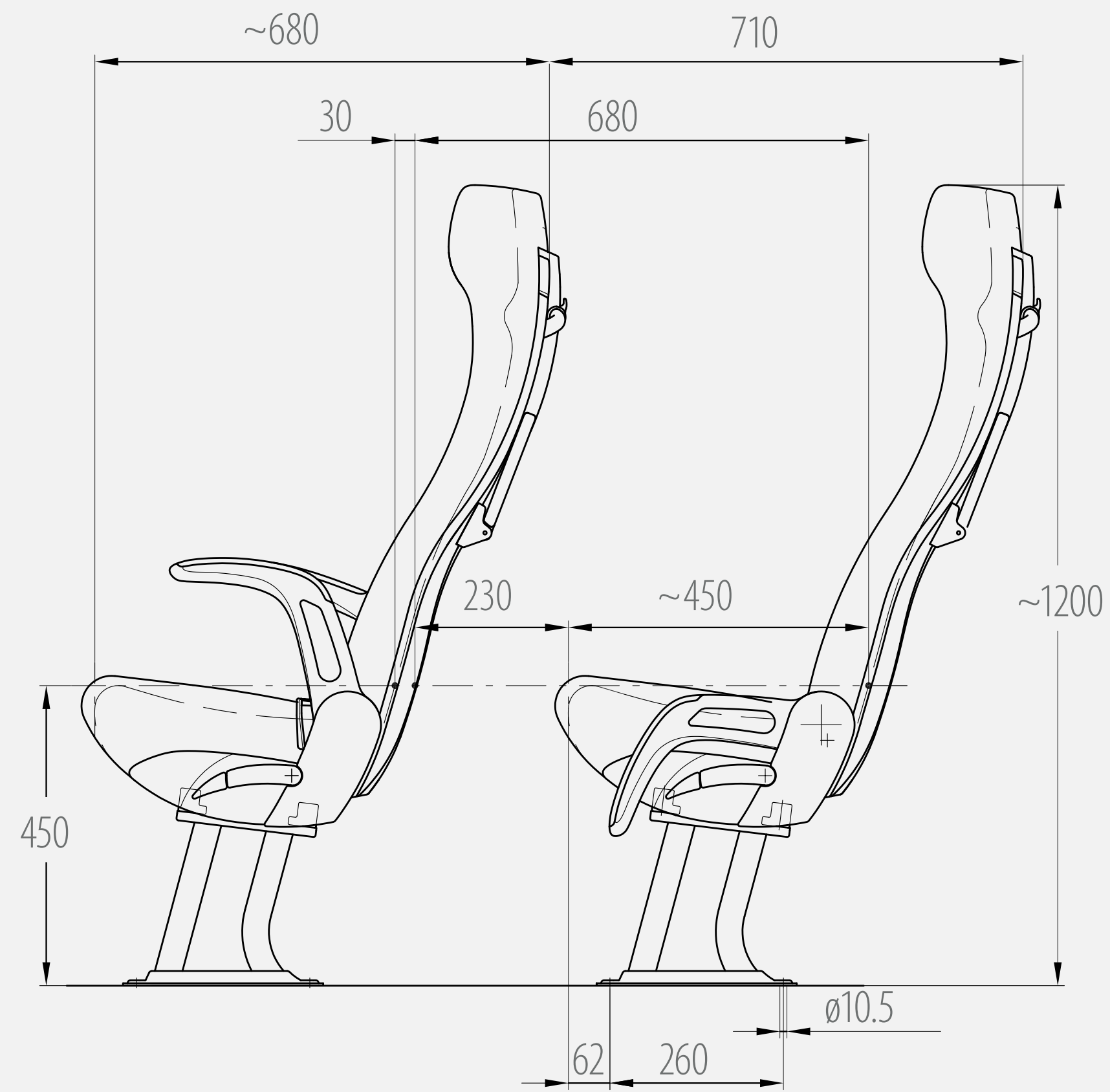
- 2 point safety belt	•
- 3 point safety belt	•
- All-generation safety belt	•
- Certified ISOFIX system	•

**OPTIONS**

- Waste bin	•
- Magazine net	•
- Coat hook	□
- Headrest cover	□
- Widening system	•
- Pantograph leg support	•
- Hand-pole socket	•
- Fold down table	•
- Advertising panel	•
- Active climate layer	•
- Pedestal cover	•

**INNOVATIVE OPTIONS**

A - Usb	•
B - Bell push	•
C - Led reading light	•
D - Smartphone holder	•
E - Wireless charger	•
F - Monitor	•
G - Sensor system	•
Console with A+B+C	•



Dimensions in mm. The company reserves the right to change product specifications and dimensions.



GT 6700

**LAZZERINI**<sup>®</sup>



If you need further  
information on GT 6700  
please contact:

[info@lazzerini.it](mailto:info@lazzerini.it)



Lazzerini S.r.l. S.B.  
Viale G. Peralisi, 21  
60030 Monsano (AN) Italy  
Tel +39 0731 60681  
[www.lazzerini.it](http://www.lazzerini.it)