

# *Brio*

*Safety and vivacity  
for school bus*



**LAZZERINI**<sup>®</sup>  
never stop exploring

1 Integrated grab handle

2 Restraint system

- 2 point safety belt

3 Backrest pad

4 Cushion pad



5 Shell in integral polyurethane

6 Reduced thickness



COLOURS

---



seat shell colours



pads cushion/backrest colours



DETAIL

---



2 point safety belt



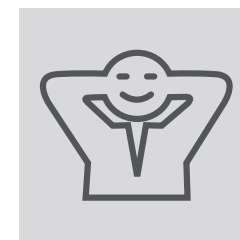
Comfortable grip



Wide range of colours

## FEATURES

---



Innovative and ergonomic design



Wide range of colours



Lightweight structure



Approved to D.M. 01/04/2010



Easy maintenance



Anti-vandal and anti-scratch

## OPTIONS

 standard

 optional

## ARMRESTS

- Fold up	•
- Fixed	•

## GRAB HANDLE

- Integrated	<input type="checkbox"/>
--------------	--------------------------

## RESTRAINT SYSTEM

- 2 point safety belt	<input type="checkbox"/>
-----------------------	--------------------------

## OPTIONS

- Customised logo	•
-------------------	---

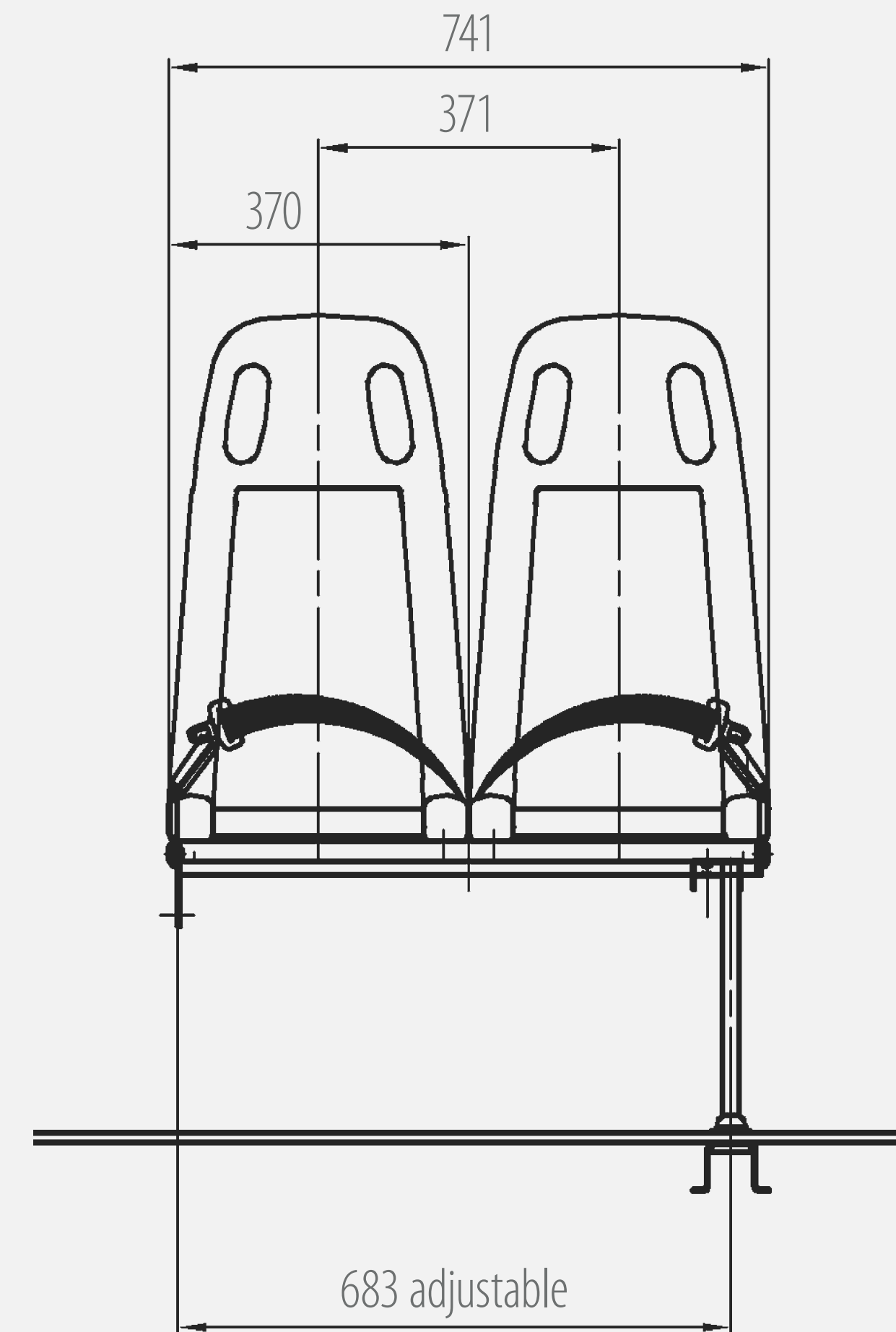
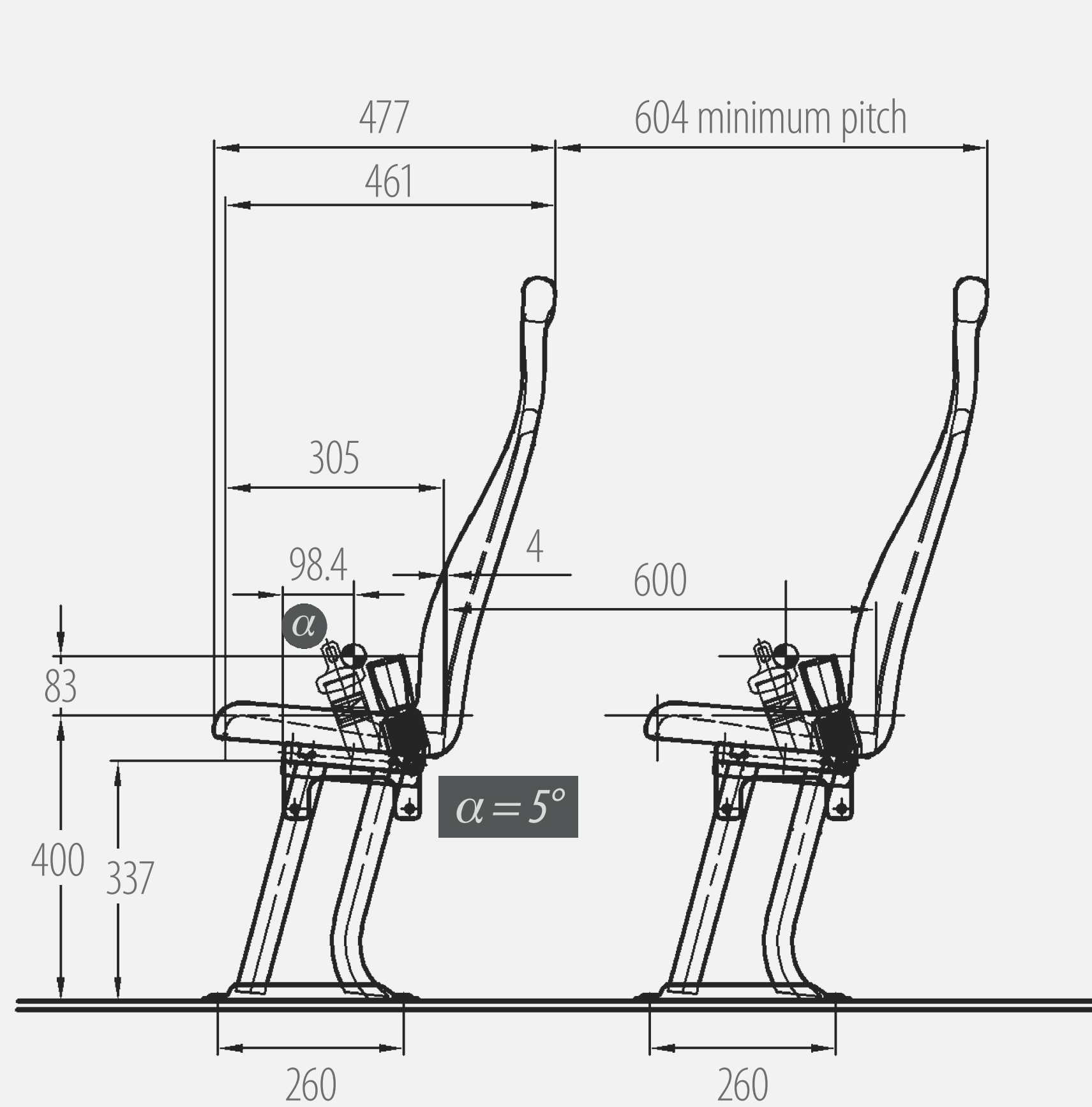
## SEAT SHELL COLOURS

- Yellow	<input type="checkbox"/>
- Green	<input type="checkbox"/>
- Grey	<input type="checkbox"/>
- Wide range of colours	•

## PADS CUSHION/BACKREST COLOURS

- Red	<input type="checkbox"/>
- Blue	<input type="checkbox"/>
- Green	<input type="checkbox"/>
- Yellow	<input type="checkbox"/>
- Wide range of colours	•

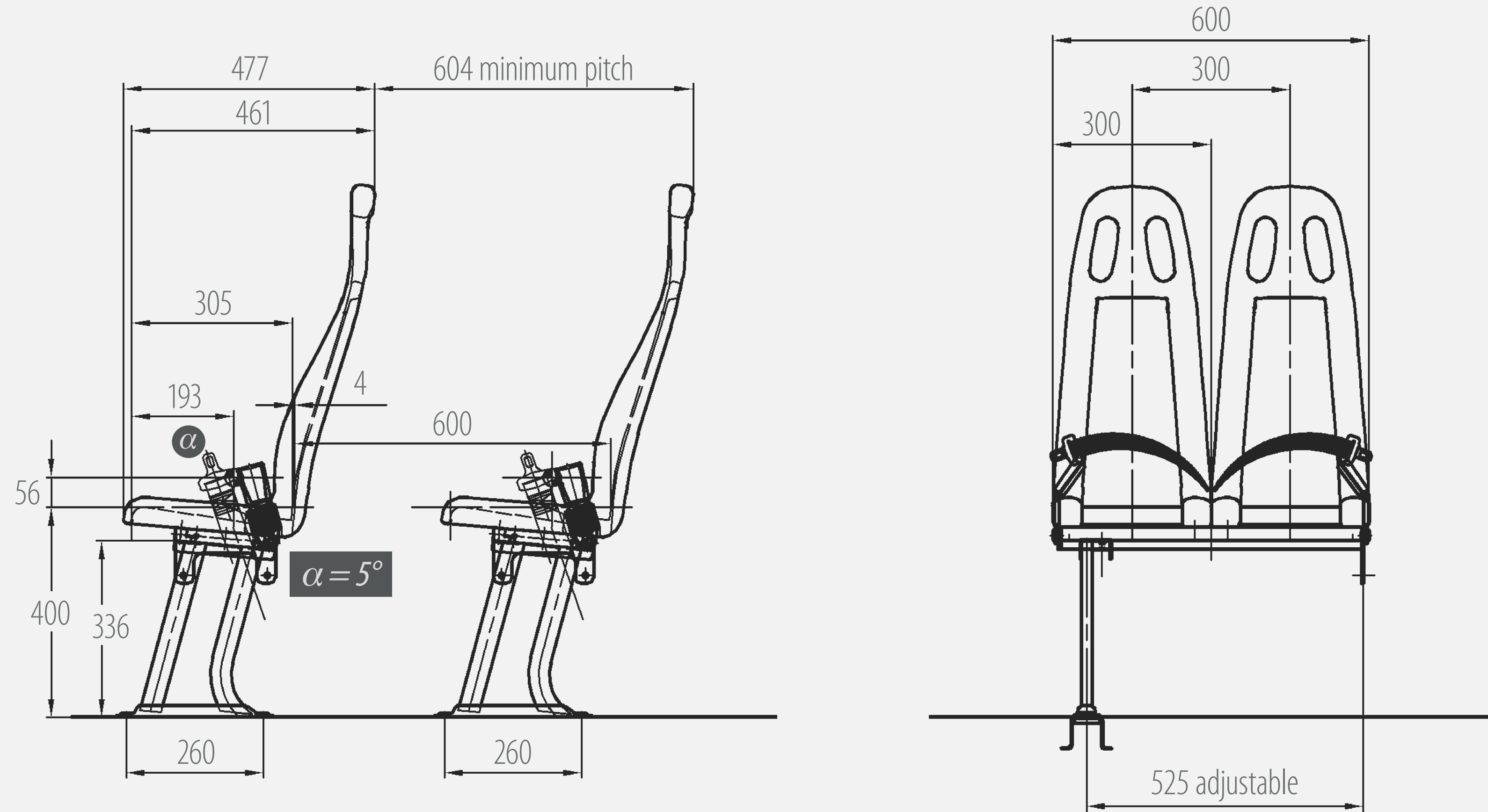
# 4100 MIDDLE SCHOOL



Dimensions in mm. The company reserves the right to change product specifications and dimensions.



# 4150 JUNIOR SCHOOL



Dimensions in mm. The company reserves the right to change product specifications and dimensions.

**Brio**



If you need further  
information on Brio  
please contact:  
[info@lazzerini.it](mailto:info@lazzerini.it)



**LAZZERINI®**



Lazzerini S.r.l. S.B.  
Viale G. Peralisi, 21  
60030 Monsano (AN) Italy  
Tel +39 0731 60681  
[www.lazzerini.it](http://www.lazzerini.it)